

# Wisconsin Electric Machines and Power Electronics Consortium

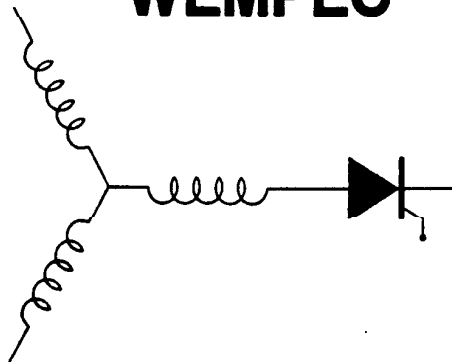
RESEARCH REPORT  
93-37

A Strategy to Isolate the Switching Device Fault of a  
Current Regulated Motor Drive

Jen-Ren Fu  
Taiwan Power Company  
Nuclear Engineering Department  
Taipei, Taiwan

Thomas A. Lipo  
Dept. of Electrical and Computer Engineering  
University of Wisconsin-Madison  
1415 Johnson Drive  
Madison, WI 53706

## WEMPEC



Department of Electrical and Computer Engineering  
1415 Johnson Drive  
Madison, Wisconsin 53706

© August 1993 Confidential

# A Strategy to Isolate the Switching Device Fault of a Current Regulated Motor Drive

Jen-Ren Fu

Taiwan Power Company  
Nuclear Engineering Department  
Taipei Taiwan

Thomas A. Lipo

University of Wisconsin-Madison  
Department of Electrical and Computer Eng.  
Madison WI 53706

**Abstract**— In this paper a new, improved induction motor control topology is proposed which allows for continuous, disturbance free operation of the drive with a failed short-circuited switch in one leg of the inverter. The analysis of this control strategy and the computer simulation are explored. The experimental results from hardware are attached to verify the simulation results. A complete control strategy combined with short-circuit fault and open-circuit fault is also included.

## I. INTRODUCTION

One of the most common types of drive system faults is a failed short-circuited switch in the inverter. In this case one of the motor phases is continuously connected to positive or negative side of the dc bus, resulting in a loss of field orientation. One method to isolate a short-circuited switch is to simply shoot-through or short circuit the faulty leg of the inverter by turning on the other switch in the same inverter leg. With this method, two fuses per inverter leg are required. When one of the inverter switches is short-circuited, the other switch in the same leg is intentionally turned on so that the fuses will blow out and isolate the short-circuited switch. However, because of the overcurrent limit of the switches and the clearing characteristics of the fuses, a new short-circuited switch may be created even though the original fault has been cleared. In such cases, there is no means to isolate the newly created short-circuited switch. Hence, the motor cannot be operated satisfactorily and must be braked to remove the fault.

Figure 1 shows a new topology that can solve the problem caused by a short circuited switch. One fuse and the circuit equivalent of a triac (more realistically, a pair of thyristors connected in inverse parallel or a single thyristor connected inside a diode bridge) for each phase are required for this topology. The return line are connected from each phase to the midpoint of the dc voltage in series with a triac which is controlled to be normally open circuited. Once a failure indicating a short circuit signal is sensed, the other switch in the same leg is blocked and the triac of the appropriate phase is instead triggered on. This results in the short circuit of the capacitor of half dc supply. The energy stored in the capacitor will then blow out the fast active fuse and isolate the shorted switch of the inverter. By using this topology, no matter which switch is short circuited, either one of the two switches of an inverter leg can be isolated.

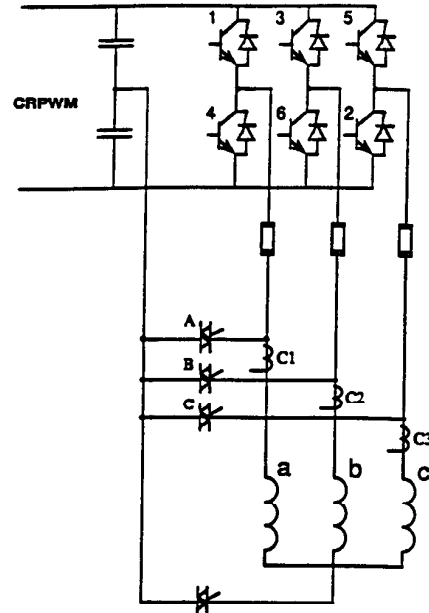


Fig. 1 Topology for isolating a short circuited inverter switch

## II. ANALYSIS

The penalty for using the two-phase control topology of the previous section is a reduction of the current control capability. Since the winding terminal of the isolated phase is connected to the midpoint of the dc voltage, its phase voltage is determined by the switch positions of the other two phases.

Figure 2 shows the four possible configurations when one of the switches in phase *b* is fails in a short-circuited mode and is cleared by the topology described in Fig. 1. In this case, terminal *b* is always connected to the midpoint of the dc voltage and the current magnitude in phase *b* is equal to  $-(I_a + I_c)$ . In Fig. 2(b), both the phase *a* and phase *c* currents are lower than the current commands, hence the switches of phase *a* and phase *c* are both switched to the positive dc bus, the terminal voltages for phase *a* and phase *c* are both equal to  $(1/6)V_{dc}$  while the voltage for phase *b* winding is equal to  $-(1/3)V_{dc}$ . In Fig. 2-(b), phase *a* current is lower than the current command, while phase *c* current is higher than the current command. Hence the

phase *a* switch should be switched to the positive dc bus, and the phase *c* switch switched to the negative dc bus. This configuration results in the terminal voltages for phase *a* of  $(1/2)V_{dc}$  and the terminal voltage for phase *c* equal to  $-(1/2)V_{dc}$ . The voltage across the phase *b* terminal in this case is zero. Figures 2-(c) and 2-(d) show the motor terminal voltages for the two other possible configuration conditions.

Current control utilizing CRPWM is still accomplished by manipulation of the terminal voltages. By using two-phase control, the available driving terminal voltages are reduced. This causes the rate of the current change to be reduced. However, as long as the desired current can be maintained, satisfactory performance is expected.

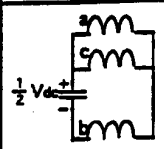
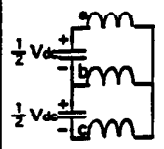
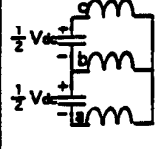
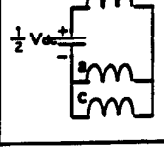
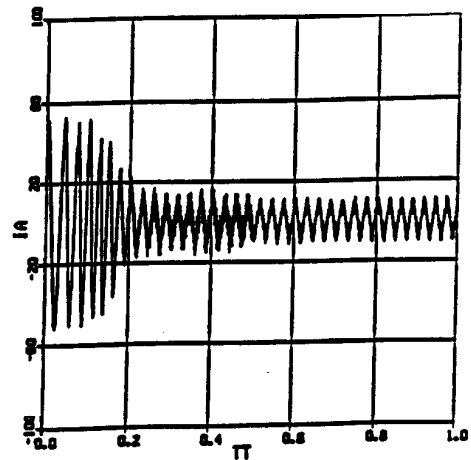
	Switches	Configurations	Terminal Voltages
(1)	A+ on C+ on		$V_a = V_c = -\frac{1}{2}V_{dc}$ $V_b = -\frac{1}{2}V_{dc}$
(2)	A+ on C- on		$V_a = \frac{1}{2}V_{dc}$ $V_c = -\frac{1}{2}V_{dc}$ $V_b = 0$
(3)	A- on C+ on		$V_a = -\frac{1}{2}V_{dc}$ $V_c = \frac{1}{2}V_{dc}$ $V_b = 0$
(4)	A- on C- on		$V_a = V_c = -\frac{1}{2}V_{dc}$ $V_b = \frac{1}{2}V_{dc}$

Fig. 2 Terminal voltages of a two-phase control topology

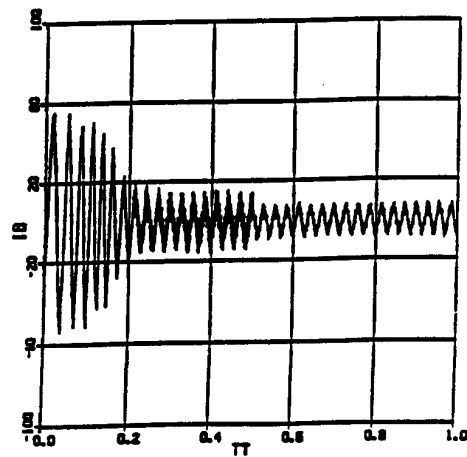
### III. SIMULATION RESULTS

As soon as a short-circuited switch is sensed, an inhibiting signal must be issued to block the other switch in the same leg so that a shoot-through fault will be prevented. After the fuse successfully isolates the short-circuited switch, the current in the isolated phase becomes, in essence, the negative sum of the other two phases. By using a CRPWM, a balanced three-phase current set is presumed. As long as the current control capability is maintained in the two healthy phases, a sinusoidal current in the isolated phase can continue to be maintained. Figure 3 shows a computer

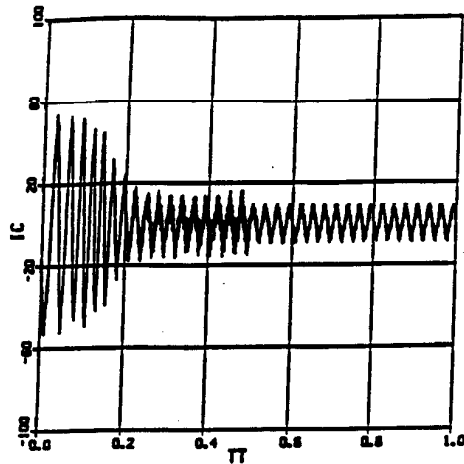
simulation for a control scheme change from three-phase control to two-phase control at  $t = 0.5$  sec. Under the two-phase control topology, the current in phase *b* is not controlled. The currents in the three stator windings are determined by the terminal voltage through the induction motor model. It can be noticed that the stator currents have less harmonics under two-phase control because of the lower driving voltages as described in Section II. It is also noticed that the stator currents are still maintained in positive sequence. Since the currents in the three phases are not changed, no torque or speed changes are observed.



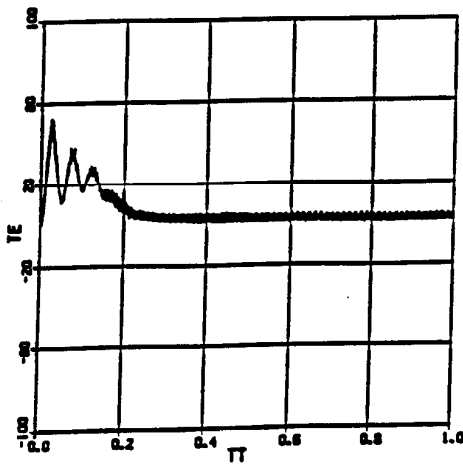
(a)



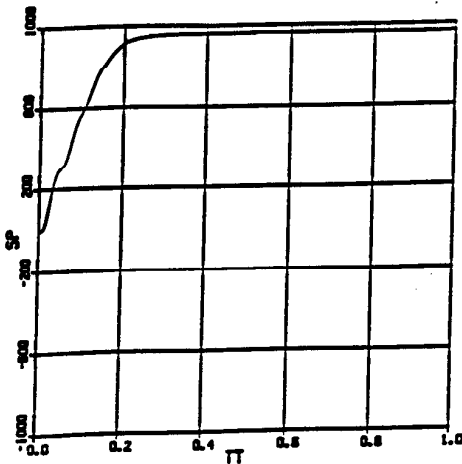
(b)



(c)



(d)



(e)

Fig. 3 Computer simulation for a change in control from three-phase control to two-phase control at  $t = 0.5$  sec. (a) phase  $a$  current  $I_a$  (b) phase  $b$  current  $I_b$  (c) phase  $c$  current  $I_c$  (d) torque (e) speed

#### IV. EXPERIMENTAL RESULTS

##### A FUSE SELECTION

In this study the criterion used to select the fuse was taken

the time integral of current squared,  $\int i^2 dt$ , which is

normally identified as  $I^2t$ . This criterion can be used to evaluate the aggregate effect of a particular short-time current, no matter whether it is a thermal effect or a mechanical effect or a combination of the two. To isolate the failed switch, the fuse described in Section II is finally connected in series with the triac and serves as a current interrupting device. The resulting current pulse due to a capacitor short circuit discharge tends to quickly reach a peak value and then decay exponentially as the charge on the capacitor is dissipated. In this case, the principle for choosing the isolating fuse is that the fuse let-through  $I^2t$  should not exceed the  $I^2t$  withstanding value of the triac.

Hence, the criteria for fuse selection is given below:

- (1) The fuse melts, i.e. open, only when an isolating command is actuated.
- (2) The fuse melts by the energy stored in the capacitor.
- (3) The  $I^2t$  of the fuse is less than the  $I^2t$  withstand value of the inverse parallel switch pair (i.e the "triac").

##### B FUSE INTERRUPTION TEST

A fuse test of the selected fuse was conducted to verify that the capacitor has sufficient energy stored to blow out the isolating fuse. A pair of back-to-back SCRs were used as the short-circuit switching device. To comply with the fuse selection criteria summarized above, a Gould Shawmut semiconductor fuse, A50P60-4, was selected as the isolating fuse. The A50P60-4 has a rated voltage and rated current of 500 Vac and 60 Amps(RMS). The  $I^2t$  data of the fuse and the SCR used in this experiment are compared in Table 1.

Table 1  $I^2t$  comparison for A50P60-4 fuse and SKKT71 SCR

	Fuse(A50P60-4)	SCR(SKKT71)
Rated Voltage	500VAC	600V( $V_{RRM}$ )
Rated Current	60A(RMS)	70A( $T_{case}=85C$ )
$I^2t$	360 $A^2s$ (melting) 2900 $A^2s$ (clearing)	13000 $A^2s$

Figure 4 shows the results of the fuse test. It is noted that the fuse is disconnected in about 500 microseconds.

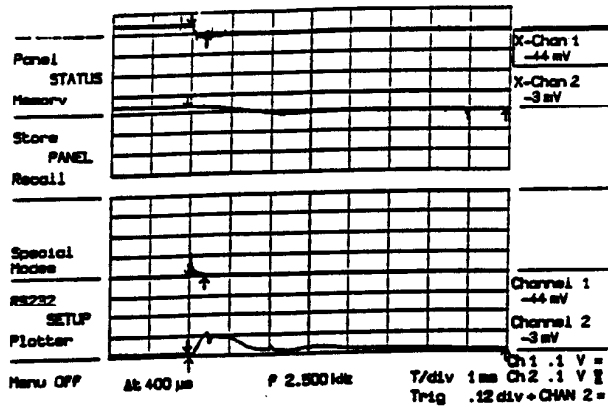


Fig. 4 Experimental results from a fuse test. Traces from top to bottom are: (a) voltage across the capacitor, 50v/div, 1ms/div. (b) voltage across the capacitor, 50v/div., 50μs/div. (c) current through the fuse, 500A/div., 1ms/div. (d) current through the fuse, 500A/div., 50μs/div.

### C CONTROL SCHEME CHANGE FROM THREE-PHASE TO TWO-PHASE CONTROL

To simulate the failed short-circuited condition of the switching device in the inverter, a bypassing triac or its equivalent can be connected across one of the switches as shown in Fig. 5. A triac short-circuit command is issued through the interactive communication program between a DSP and a personal computer. When the DSP detects the short-circuit command, it isolates both switching devices of the appropriate inverter leg before sending the short-circuit signal to the SCRs.

To protect the DSP from damage caused by the power circuit, optical transmitters and receivers are used to isolate the control signal between the DSP and the power circuit. Figures 6 and 7 shows the interface between the DSP and the SCR control circuit.

In these figures, switch 1 in phase *a* is assumed to be a failed short-circuited switch. Hence a bypassing triac is connected across switch 1. After the faulty switch is successfully isolated, the terminal of phase *a* winding is connected to the mid-point of dc voltage through triac A. As previously mentioned, the controls in phase *b* and *c* currents need not be changed.

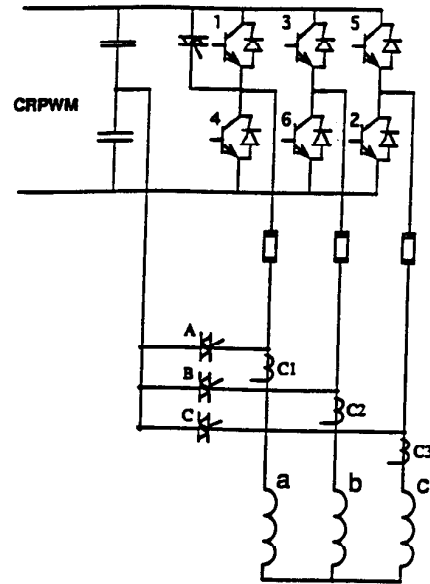


Fig. 5 Schematic diagram for short-circuited switch experiment

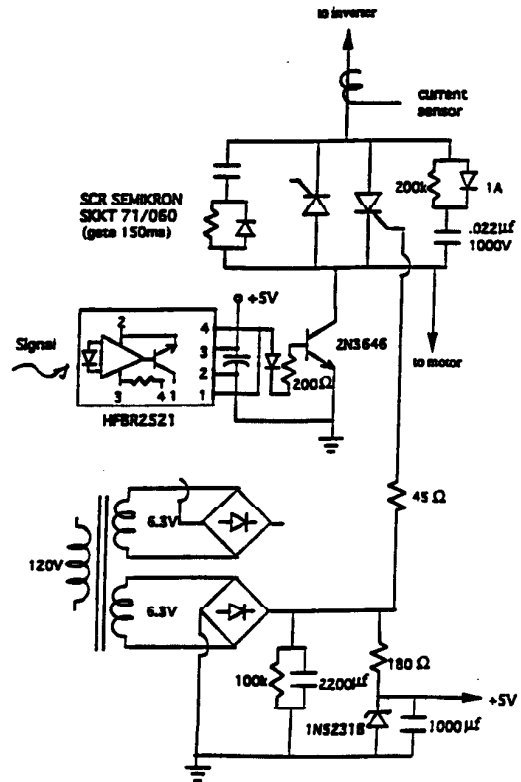


Fig. 6 SCR control circuit

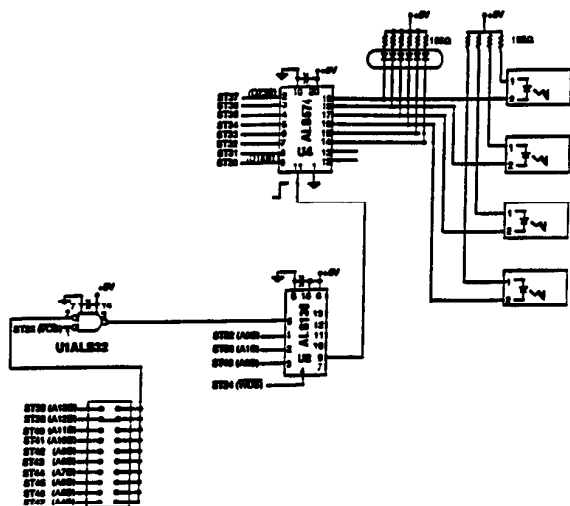


Fig. 7 DSP interface card to SCR control circuit

Figures 8 and 9 show experimental results for a control scheme change from three-phase control to two-phase control. Since the inverter is protected by an overcurrent protection circuit, a short circuit of the capacitor resulted in an isolation of all switches in the inverter. Hence, it should be noticed that the experimental results were taken without causing a short circuit of the capacitor. To accomplish this condition, both switches 1 and 4 must be isolated first, then triac A is turned on. After triac A is turned on, the current in phase *a* is no longer controlled. Phase *a* current now is the negative sum of phase *b* and phase *c* currents.

From Fig. 8 trace (a), it can be seen that there is no current flowing through the mid-point of the two capacitors during a three phase balanced operation. After the motor is under two-phase control, all the current in phase *a* flows through the mid-point of the capacitors. It can be seen that although the current in phase *a* is no longer controlled, it is still maintained as a satisfactory sinusoidal waveform by controlling the currents of phase *b* and phase *c*.

Since the available driving terminal voltages are reduced during a two-phase control, the capability of current regulation is also reduced. From Fig. 9, it is noticed that when motor speed is increased, it becomes more difficult to maintain the currents of phase *b* and phase *c* at the required values.

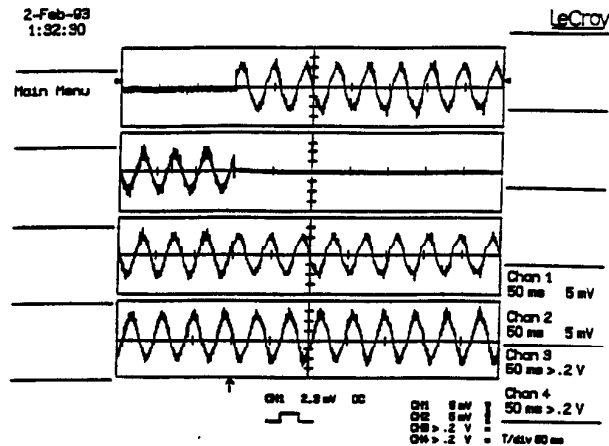


Fig. 8 Experimental results for control scheme change from three-phase control to two-phase control at  $\omega = 80$  radians per sec. Traces from top to bottom are: (a) phase *a* current flowing through the mid-point of the two capacitors (b) phase *a* current flowing through the inverter leg (c) phase *a* current flowing through the motor winding (d) phase *c* current. The scales for all traces are 2A/div. and 50ms/div.

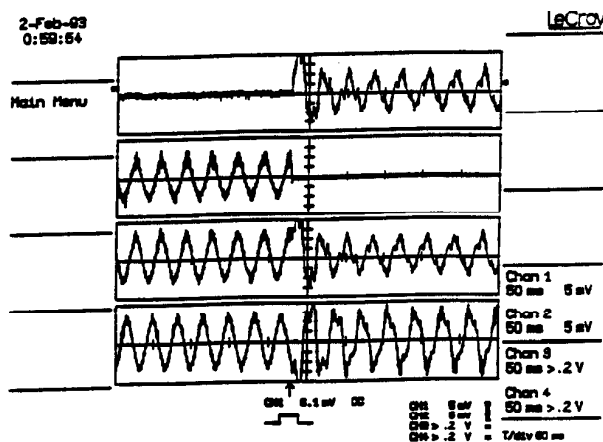


Fig. 9 Experimental results for a control scheme change from three-phase control to two-phase control at  $\omega = 100$  radians per sec. Traces from top to bottom are: (a) phase *a* current flowing through the mid-point of the two capacitors (b) phase *a* current flowing through the inverter (c) phase *a* current flowing through the motor winding (d) phase *c* current. The scales for all traces are 2A/div. and 50ms/div.

## V. LOGIC DIAGRAM

To further increase the reliability of the system, a combined control scheme which has both the characteristics of short circuit isolation and open circuit operation can be implemented. Figure 10 shows a ladder diagram of this control scheme. A ladder diagram is used to represent the

control logic of a programmable controller (PC). A typical PC is designed to replace relays. A complex relay logic can be achieved by executing an appropriate program. The advantage of using PC is that the logic can be easily modified by changing the program instead of changing hardwire routing [6]. Although the control scheme recommended in this paper is implemented by DSP, nevertheless, a ladder diagram can be used to represent the control logic in the program. A ladder diagram consists of symbols representing coils and contacts arranged to provide relay logic. Once the program execution begins, the entire ladder diagram is continuously scanned to reflect the latest logic status.

In this case sensing circuits to detect an open circuit failure or short circuited failure of the switching devices are required. The two phase control topology is the first choice after an open or short circuit failure of a switch is detected. If the current sensor still does not sense any current after some time delay, then the triac in the neutral line will be triggered on and the open phase control strategy can be applied.

#### VI. ACKNOWLEDGMENTS

This work was sponsored by the IEEE Industry Applications Society in the form of a Zucker Grant and to whom the authors are greatly indebted.

#### VII. CONCLUSION

This paper has presented a new approach to faulty switch isolation in a modern solid state inverter drive. The approach utilizes low cost thyristor/fuse technology to isolate the shorted switch thereby permitting continued operation either by connecting the phase previously experiencing the fault back to the center point of the dc bus or, when insufficient voltage is available, by connecting the neutral back to the center point of the dc bus and simply operating with the two healthy phases. This method could prove an important innovation to those applications requiring a high degree of fail safe protection such as nuclear pumps, aerospace applications, military applications, and the like.

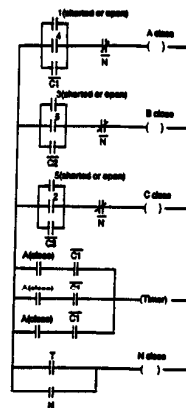


Fig. 10 Ladder diagram of combined control scheme

#### REFERENCES

- [1] D. O'Kelly, "Performance and Control of Electrical Machines", McGraw-Hill Book Company Limited, 1991.
- [2] T. A. Lipo and D. W. Novotny, "Dynamics and Control of AC Drives", (class notes), UW-Madison 1991.
- [3] J. F. Eastham, A. R. Daniels and R. T. Lipcynski, "A Novel Power Inverter Configuration", in Conf. Rec. IEEE/IAS Annual Meeting, Vol. 11, 1980, pp. 748-751.
- [4] H. W. van der Broeck and J. D. van Wyk, "A Comparative Investigation of a Three Phase Induction Machine Drive with a Component Minimized Voltage-Fed Inverter under Different Control Options", IEEE Trans. on Industry Applications, Vol. IA-20, No.2, March/April 1984, pp. 309-320.
- [5] John C. Salmon and B.W. Williams, "A Split-Wound Induction Motor Design to Improve the Reliability of PWM Inverter Drives", IEEE Trans. on Industry Applications, vol. IA-26, No.1, Jan/Feb 1990, pp. 143-150.
- [6] L. E. Schmitt, "PC versus CNC - Which Do You Choose?", IEEE Trans. on Industry Applications, vol. IA-20, No. 5, Sept/Oct 1984, pp. 1141-1145.
- [7] G. E. Michalski, "Performing Machine Diagnostics with Programmable Controller", IEEE Trans. on Industry Applications, vol. IA-20, No.5, Sept/Oct 1984, pp. 1308-1311.